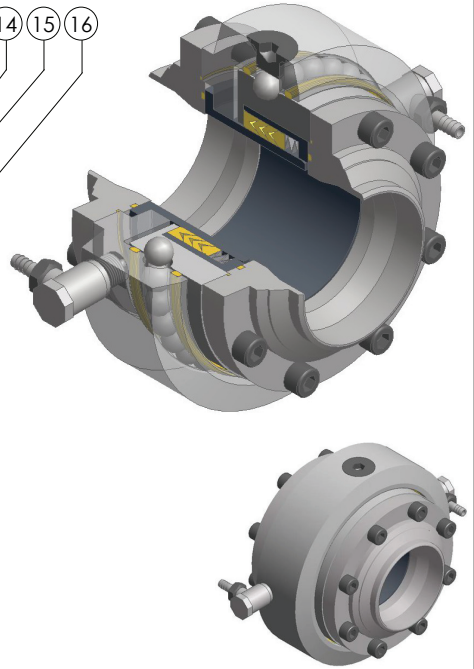
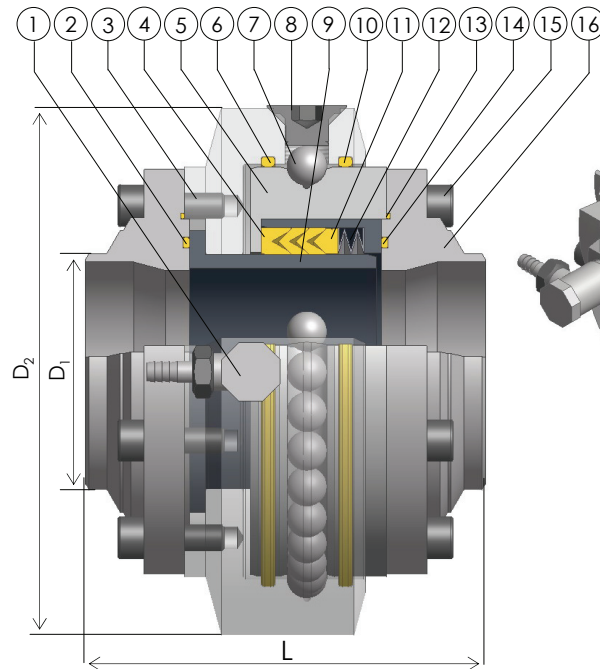


Swivel Joint SRS822

Replaceable
seal bushes
Bulletin SRS822

The swivel joint SRS822 is used for high toxic products, such as chlorine or methylmercaptan. A multiple seal set, made of PTFE, is installed.

- 1 PURGE
- 2 O-SEAL
- 3 OUTERBODY
- 4 PRODUCT SEAL
- 5 INNERBODY
- 6 BALLRACE SEAL
- 7 BALL
- 8 PLUG
- 9 INNER SEAL BUSH
- 10 DUST SEAL
- 11 BACK UP RING
- 12 DISC SPRING
- 13 OUTER SEAL BUSH
- 14 FLANGE SEAL
- 15 ALLAN SCREW
- 16 FLANGE



D	D ₁	D ₂	L	Weight [N]
2"	60.3	164	145	95
3"	88.9	198	150	136
4"	114.3	224	155	170

Specific features:

- High load capability due to:
 - 4 point contact ball races
 - larger balls
- Provided with vent connection (nitrogen or dry air) at rear of sealing chamber. Product leakage (if any) is in this way removed under controlled conditions.
- Interchangeable seal bushes of Hastelloy-C (or stainless steel).
- Body is easily replaceable due to double flanged construction.
- Max. operating pressure : 50 bar
- Temperature range : -20°C up to +200°C

Materials:

	<i>Chlorine applications</i>	<i>Other applications</i>
• Outerbody :	Carbon steel	C.S., AISI 304, AISI 316
• Innerbody :	Carbon steel	C.S., AISI 304, AISI 316
• Bushings :	Hastelloy-C	AISI 316, Hastelloy-C
• Product seal :	PTFE	PTFE