

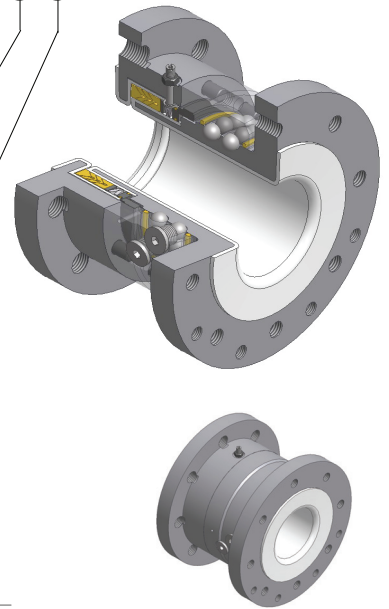
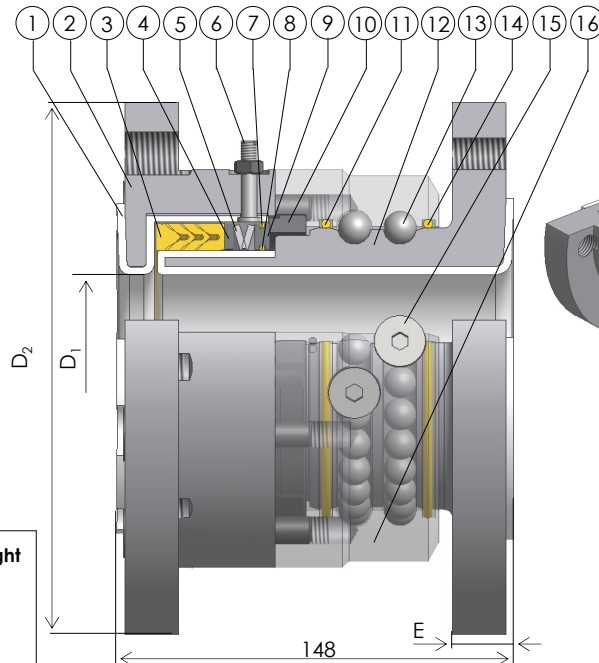
Swivel Joint SRL825

PTFE-LINED

Bulletin SRL825

The swivel joint SRL825 is used for corrosive products, e.g. highly concentrated nitric acid, low concentrated sulphuric acid, hydrochloric acid, etc. All product wetted parts are provided with a PTFE lining.

- 1 PTFE LINING
- 2 FLANGE
- 3 PRODUCT SEAL
- 4 BACK UP RING
- 5 DISC SPRING
- 6 FUNCTION CHECK
- 7 O-RING
- 8 O-RING
- 9 END RING
- 10 SUPPORT RING
- 11 BALLRACE SEAL
- 12 INNERBODY
- 13 BALL
- 14 DUST SEAL
- 15 PLUG
- 16 OUTERBODY



Size	D ₁	D ₂	E	Weight
DIN / ANSI		DIN / ANSI		[N]
DN50 / 2"	42	165 / 152	21	113
DN80 / 3"	70	198 / 190	23	157
DN100 / 4"	92	220 / 220	23	190

Specific features:

- High load bearing capability due to:
 - 4 point contact ball races
 - larger balls
- Because of strict separation of bearing and sealing parts, product cannot enter the ball races in case of leakage (if any).
- The swivel joint is provided with a multiple seal set.
- It's possible to replace the product seal set by unbolting the swivel joint flange. There is no need to remove the balls from the swivel joints.
- The swivel joint is provided with a function check, which is installed between the product seal set and the ball race seal.
- The swivel joint is provided with a long life lubrication, regular lubrication is not required.
- Connecting flanges are drilled to DIN 2633, ANSI 150# as an option.
- Maximum pressure : 10 bar.
- Temperature range : -10°C up to +200°C.

Materials:

- Flange : Carbon Steel.
- Innerbody : Carbon Steel.
- Outerbody : Carbon Steel, Stainless Steel
- Product seals : PTFE, PTFE Carbon Graphite filled as an option.
- Lining : PTFE, PTFE Carbon Graphite filled as an option.