



## CTS DRAINMASTER FOR EXTERNAL FLOATING ROOF TANKS

*Draining the water from any external floating roof is a key issue in the safety and integrity of the external floating roof tank. A well functioning drain system will drain all water on the roof and will not build up any sediment inside. The submerged service of the seal provides an extra challenge for any drain design. The CTS Drainmaster system is the best way to deal with this challenge. Consisting of a reinforced hose, fitted in a metallic pivoting joint it is the ideal long-lasting solution for this application. Using our Drainmaster system will provide a slope throughout the drain system, which prevents sediments to fill up the drain. The drainmaster can be supplied in 3", 4" 6", 8", 10" and 12".*

### Key advantages of the CTS Drainmaster:

- designed for submerged service in aggressive environments
- maintenance free
- service life in excess of 15 years
- easy installation
- suitable for 100% aromatics
- no interference with objects in the tank or roof legs
- no sediment built up as the arrangement has a continuous slope
- no tank modifications required
- suitable for use as foam delivery system
- light weight compared to conventional swivels
- no abrasion to either tank floor or covering layer
- no swivel joints or other connections that require maintenance
- no lateral forces on floating roof
- fixed maximum angle



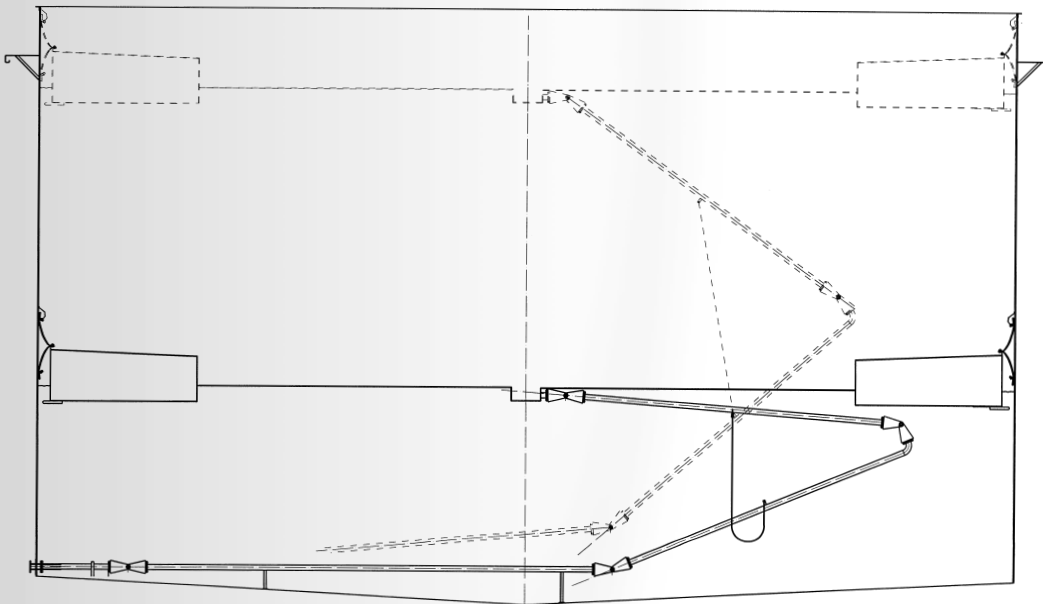
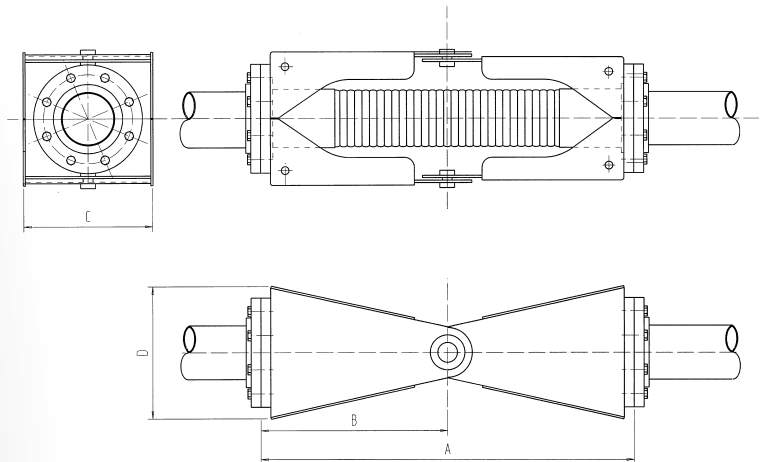
## Construction

The hose of the CTS Drainmaster is constructed from layers of fabric, reinforced with a stainless steel inner and outer helix and swaged to carbon steel tailpieces with ANSI flanges. The selected fabric materials consist of various layers of elastomeric materials, that are especially selected for submerged use without product permeation through the fabrics. These special fabric materials make the pivoting connection suitable for the most aggressive products like MTBE and 100% aromatics. Our extensive experience with composition of hoses ensures a long term performance of our Drainmaster system. The protecting flexible joint is executed with maintenance free sliding bearings and eliminates stresses and strains on the hose. It can be fabricated from different grades of stainless steel and carbon steel.

## Testing results:

Although Drainmasters are rainwater drains experiencing low pressures when in use, the integrity of the assembly is checked by testing to 10 bar with water and vacuum testing to -0.85 bar. Full and detailed test and material certificates are supplied as a standard.

Internal diameter (inches)	A (mm)	B (mm)	C (mm)	D (mm)	Weight (kg)
3"	615	310	230	195	35
4"	750	375	270	235	47.5
6"	950	475	365	310	85
8"	1,300	650	430	385	135



Offices:  
Coventrystraat 2  
3047 AD Rotterdam  
The Netherlands

Tel.: +31 (0)10 - 2622160  
Fax: +31 (0)10 - 2622190  
E-mail: info@cargotransfer.net  
Website: www.cargotransfer.net

Your distributor: