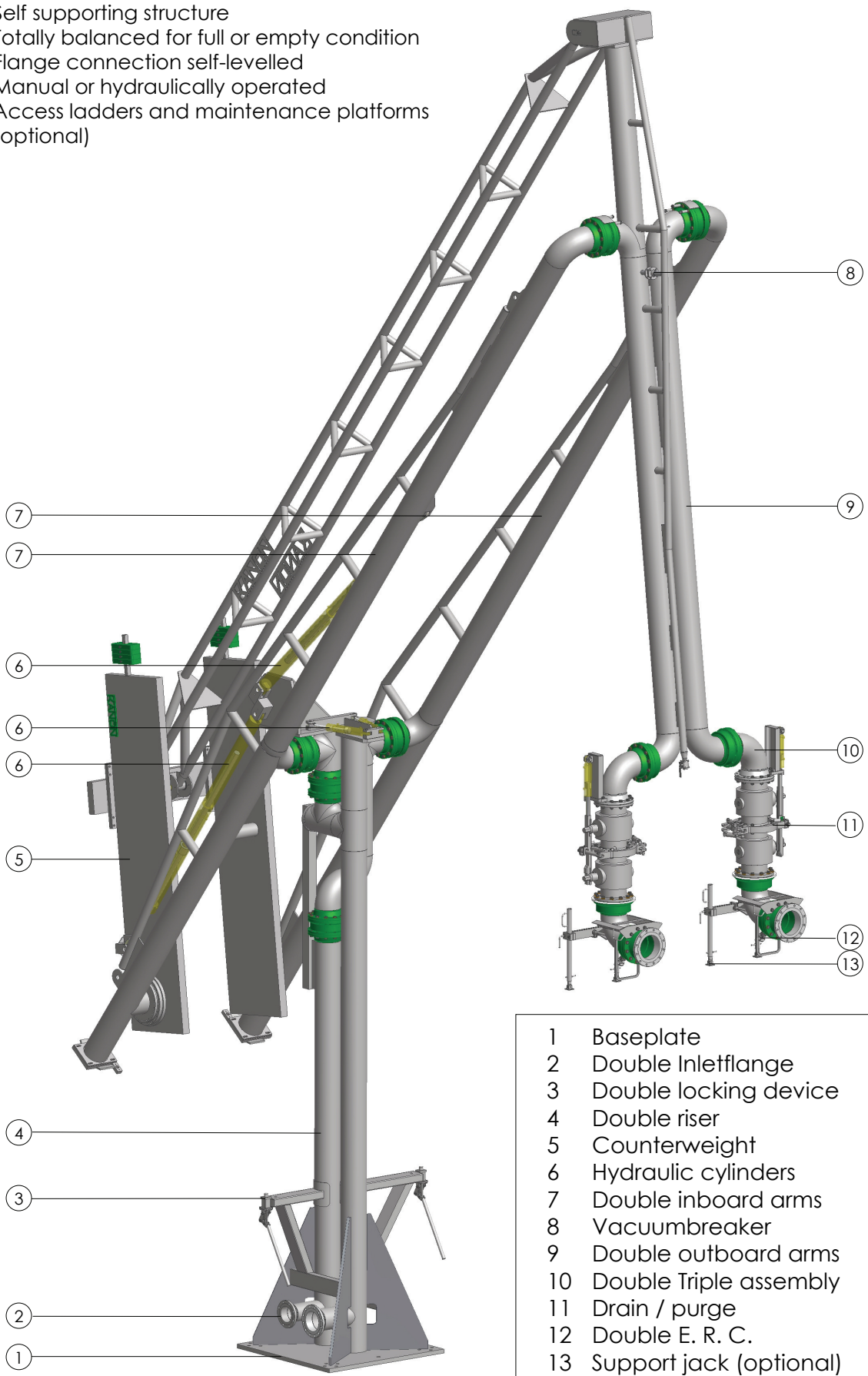


Marine Loading Arms 260

Multiple Product
Without vapour line,
with E.R.C.
Bulletin 260147

- Self supporting structure
- Totally balanced for full or empty condition
- Flange connection self-levelled
- Manual or hydraulically operated
- Access ladders and maintenance platforms (optional)



- 1 Baseplate
- 2 Double Inlefflange
- 3 Double locking device
- 4 Double riser
- 5 Counterweight
- 6 Hydraulic cylinders
- 7 Double inboard arms
- 8 Vacuumbreaker
- 9 Double outboard arms
- 10 Double Triple assembly
- 11 Drain / purge
- 12 Double E. R. C.
- 13 Support jack (optional)