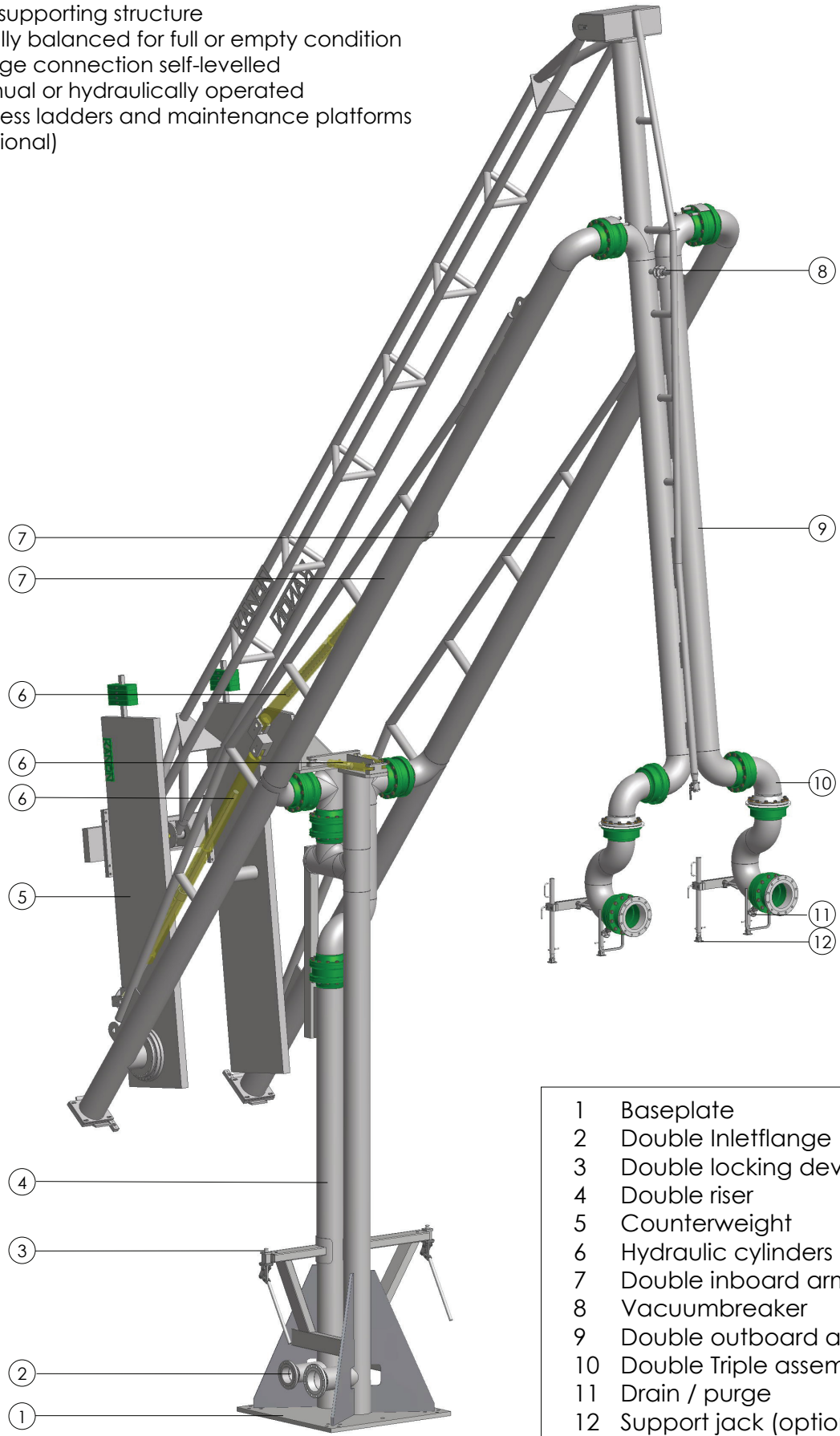


# Marine Loading Arms 260

Multiple Product  
Without vapour line

**Bulletin 260047**

- Self supporting structure
- Totally balanced for full or empty condition
- Flange connection self-levelled
- Manual or hydraulically operated
- Access ladders and maintenance platforms (optional)



- |    |                         |
|----|-------------------------|
| 1  | Baseplate               |
| 2  | Double Inletflange      |
| 3  | Double locking device   |
| 4  | Double riser            |
| 5  | Counterweight           |
| 6  | Hydraulic cylinders     |
| 7  | Double inboard arms     |
| 8  | Vacuumbreaker           |
| 9  | Double outboard arms    |
| 10 | Double Triple assembly  |
| 11 | Drain / purge           |
| 12 | Support jack (optional) |