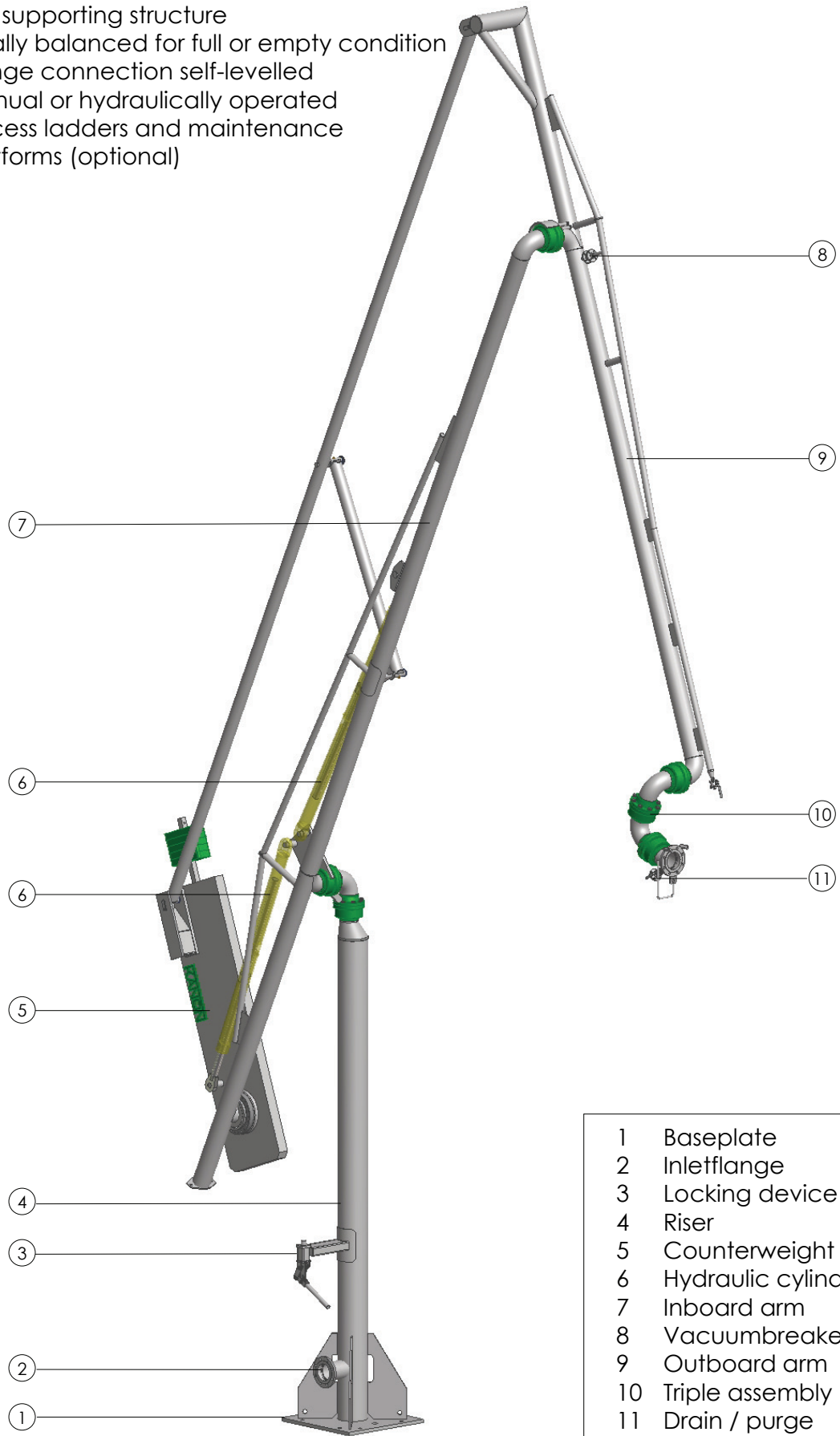


# Marine Loading Arms 260

Single Inboard  
Hydraulically  
operated  
**Bulletin 260039**

- Self supporting structure
- Totally balanced for full or empty condition
- Flange connection self-levelled
- Manual or hydraulically operated
- Access ladders and maintenance platforms (optional)



- |    |                        |
|----|------------------------|
| 1  | Baseplate              |
| 2  | Inletflange            |
| 3  | Locking device         |
| 4  | Riser                  |
| 5  | Counterweight cylinder |
| 6  | Hydraulic cylinders    |
| 7  | Inboard arm            |
| 8  | Vacuumbreaker          |
| 9  | Outboard arm           |
| 10 | Triple assembly        |
| 11 | Drain / purge          |